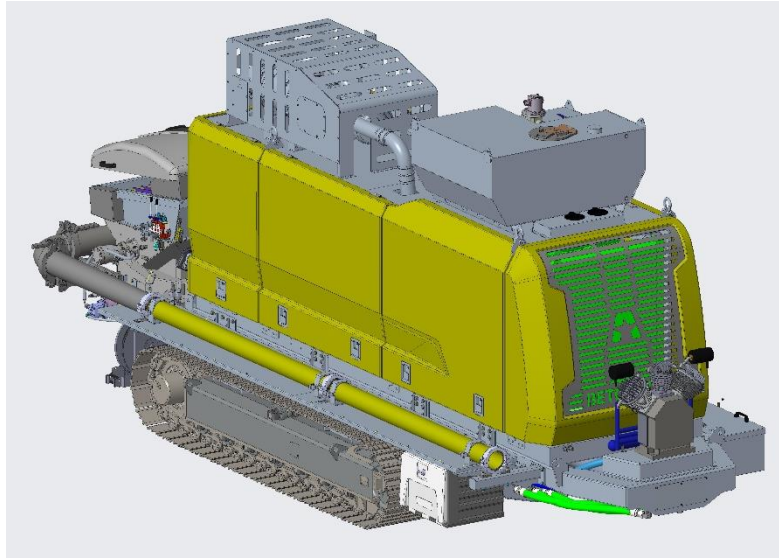


BSC 21.90D



TECHNICAL SPECIFICATION OF BCP 21.90D

Engine	:185 kW (252 hp) / 250 kW (340 hp)
Theo. Concrete Output (Max.)	:Rod side 126m ³ /h ,(piston side 78m ³ /h)
Theo. Concrete Pressure(Max.)	:Rod side 92 bar ,(piston side 150 bar)
Stroke	:Rod side 32 ,(piston side 20)
Main Hydraulic Cylinder	:130 * 80 * 2100 mm
Concrete Delivery Cylinder Dimensions	:200 mm * 2100 mm
Concrete Valve	:S-valve system
Hopper Capacity	:650 lt
Main Hydraulic Pump	:REXROTH A 4 VG 2x125
Switching System	:Elec. magn. sensor
S-Valve Pump	:REXROTH A 10 VO 28
Agitator Pump	:ASC
Delivery Line Diameter	:5,5"
Manual Output Control	:Rod side 0-126 m ³ , (piston side 0-78 m ³)
Crawler	:Steel,
Max. Speed	:2 km/h,
Water Tank Capacity	:550l,
Water Pump	:18 l/dk,
High Pressure Cleaner	:145 bar,
Air Compressor Capacity	:555 l/dk,
Air Compressor Pressure	:15 bar.

