

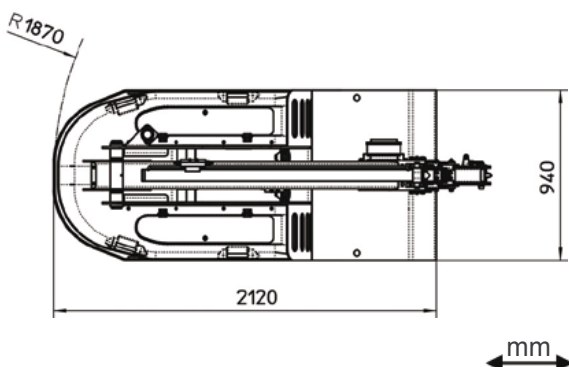
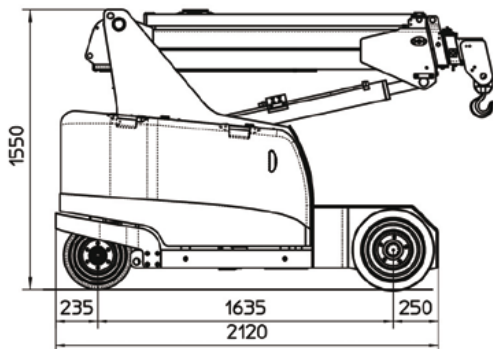
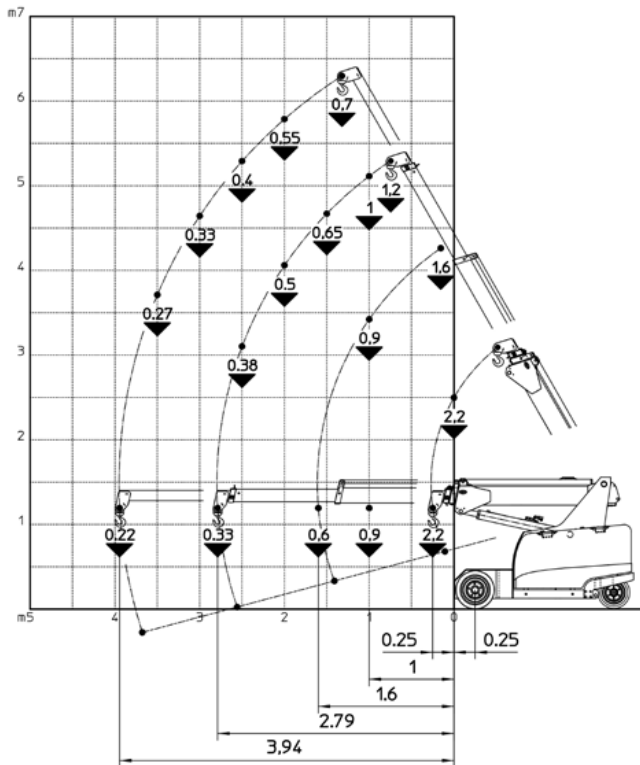


Edition: January 2015  
© 2015 JMG Cranes S.r.l. - All rights reserved

# MC 22S - Max capacity 2,2 t

Electric mobile crane

# MC22S 2,2 t



- FRAME:** JMG designed and manufactured, box type, torsion resistant design of high strength structural steel
- BOOM:** Made of moulded and welded quality steel plate, comprised of a base unit, a hydraulic telescopic system and two manual extensions. The direction and the extension are obtained hydraulically by telescopic cylinders
- TRACTION MOTOR:** n°2 Electric motors 2 kW 24 V AC, insulation class H
- MOTOR PUMP:** Electric motor 3 kW 24 V DC, insulation class H
- POWER DRIVE:** Electronic speed control, MOSFET type
- BATTERY:** 24 V 420 Ah - battery charging indicator
- TRANSMISSION:** Front axle by n°2 wheel gears
- WHEELS:** Front: n°2 superelastic 18x7-8"  
Rear: n°2 superelastic 15x4<sup>1/2</sup>-8"
- BRAKING:** Automatic on the front wheels
- STEERING:** Steering on the rear wheels by electric motor. Max. steering angle ± 90°
- TRAVEL CONTROL:** Operated by radio remote control
- HYDRAULIC SYSTEM:** Powered by a 3 kW silenced gear pump. Actuators controlled by electro-proportional distributor with remote radio controller. Filter and safety valve. 22 MPa max. working pressure
- SAFETY DEVICES:** Electronic load moment indicator
- OPTIONAL EQUIPMENT:** Hydraulic winch - High speed winch - Jib - Non marking tyres - Hydraulic boom with manual extension - Man basket - Hydraulic chain hoist  
(at extra charge)

|   |  |
|---|--|
| <b>CRANE CLASSIFICATION ACCORDING TO UNI ISO 4301-1</b> | A3   |
| <b>EU STANDARD CE</b>                                   | 2006/42 CE MD<br>2004/108 CE EMC<br>2006/95 CE LVD<br>2000/14/CE<br>And subsequent modifications |
| <b>REFERENCE STANDARDS</b>                              | EN13000:2010<br>UNI ISO 4301-2:2011<br>And subsequent modifications                              |
| <b>TRACTION</b>   | Electric   |
| <b>BOOM ACTIVATION</b>                                  | Hydraulic  |
| <b>POWER TYPE</b>                                       | Electric battery   |
| <b>MAX. CAPACITY (kg)</b>                               | 2.200  |
| <b>CRANE WEIGHT (kg)</b>                                | 2.050  |
| <b>BOOM ANGLE TOPSIDE (°)</b>                           | 60   |
| <b>BOOM ANGLE DOWNSIDE (°)</b>                          | -15  |



