



## VALLA 20 TRX TRACKED CRANE Max Capacity 2 ton



### ELECTRIC BATTERY POWERED

**MOTOR:** AC 12 kW - 48 V.

**TRANSMISSION:** automatic, hydrostatic. Max speed 2 km/h.

**FRAME:** fabricated from preformed and welded steel plate with built-in counterweight. Standard carry deck.

**TRACKED UNDERCARRIAGE:** rubber tracks.

**BOOM:** fabricated from preformed and welded steel plate with 2 hydraulic telescoping sections on nylon wear pads. Incorporated manual extension.

**HYDRAULIC SYSTEM:** gear pump , electric proportional distributor with remote control, filter, safety valves on all boom operations. Max hydraulic pressure 200 Bar.

**TOTAL MACHINE WEIGHT:** Kg 2.100.

**OPTIONAL EXTRAS:** L.M.I. (electronic Load Moment Indicator), man bucket, radio remote control, hydraulic winch, hydraulic chain hoist, manual jib extension, battery, battery charger, non-marking tracks.

### DIESEL POWERED

**ENGINE:** diesel HP 16,5 - 4 cylinders, water cooled.

**TRANSMISSION:** automatic, hydrostatic. Max speed 2 km/h.

**FRAME:** fabricated from preformed and welded steel plate with built-in counterweight. Standard carry deck.

**TRACKED UNDERCARRIAGE:** rubber tracks.

**BOOM:** fabricated from preformed and welded steel plate with 2 hydraulic telescoping sections on nylon wear pads. Incorporated manual extension.

**HYDRAULIC SYSTEM:** gear pump , electric proportional distributor with remote control, filter, safety valves on all boom operations. Max hydraulic pressure 200 Bar.

**TOTAL MACHINE WEIGHT:** Kg. 1.900.

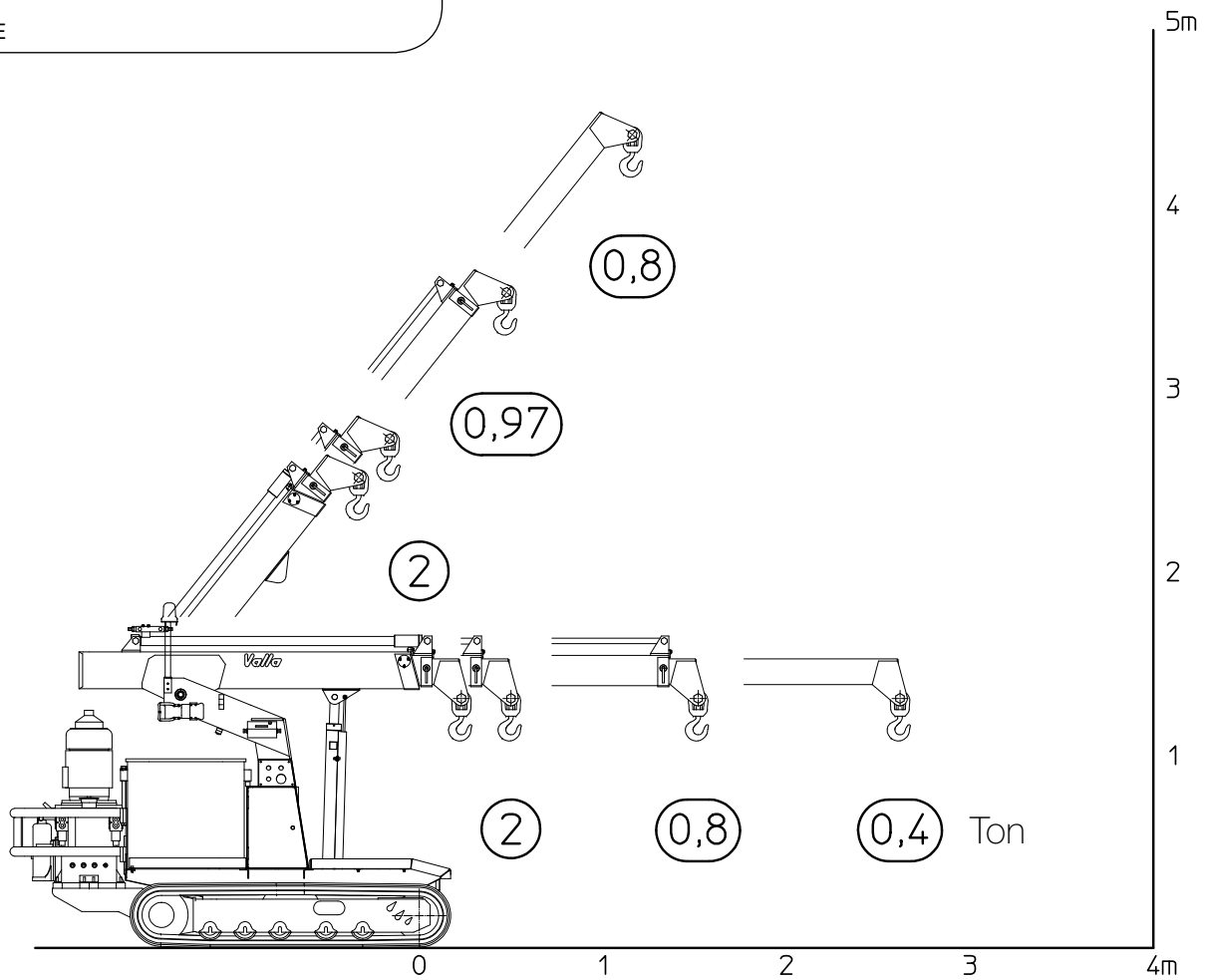
**OPTIONAL EXTRAS:** L.M.I. (electronic Load Moment Indicator), man bucket, radio remote control, hydraulic winch, hydraulic chain hoist, manual jib extension, LPG conversion.

**Valla** S.p.A.

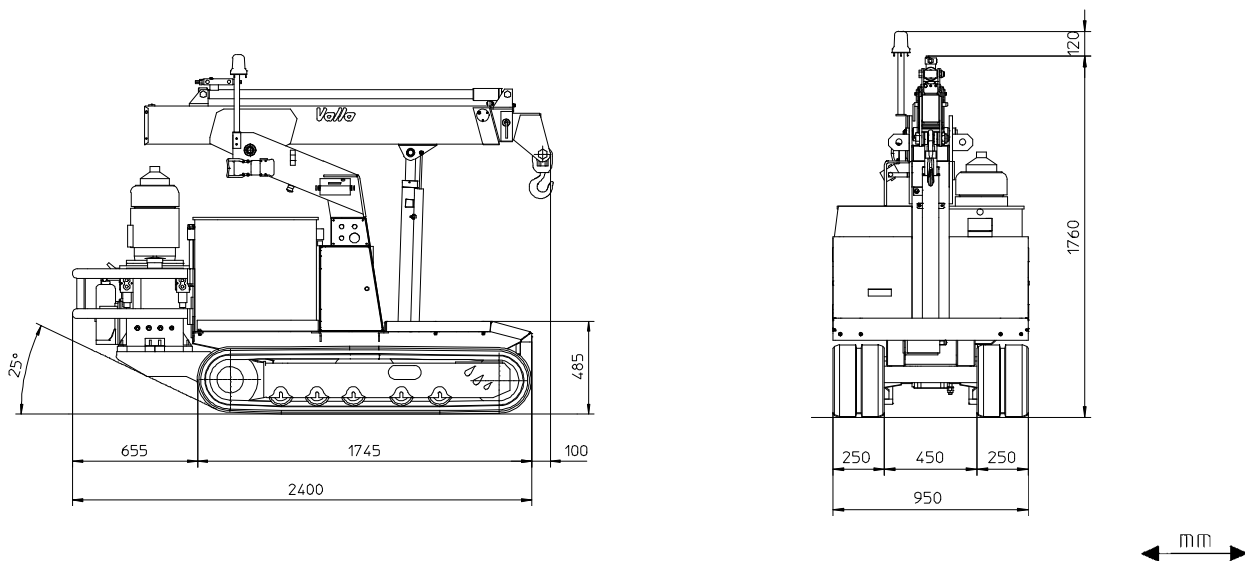
Via Piacenza, 45 - 29010 Calendasco - Piacenza - ITALIA  
Tel. 0039 0523 762025 - 762004 - Fax 0039 0523 760531  
Internet: [www.valla.com](http://www.valla.com) - email: [info@valla.com](mailto:info@valla.com)

The crane complies with following international standards:

- I.S.P.E.S.L.
- DIN 15018 (1,3) - 15019 (1) class H 2 B3
- ANSI - 1994
- 98/37/CE
- 89/336/CEE



### MODEL 20 TRX



**Valla** S.p.A.

Via Piacenza, 45 - 29010 Calendasco - Piacenza - ITALIA  
 Tel. 0039 0523 762025 - 762004 - Fax 0039 0523 760531  
 Internet: www.valla.com - email: info@valla.com

