



## VALLA 75 E MOBILE CRANE Max Capacity 7,5 t



**DRIVE:** DC 8 kW - 48 V fanned, reversible electric motor with MOSFET electronic control HF and energy saving, self diagnostic, speed and temperature checks (no. 2 thermostats), brush wear warning.

**TRANSMISSION:** differential axle and reduction gear. Speed up to 10 km/h.

**BATTERY:** 48 V 575 Ah. Battery charge indicator on dashboard.

**SUSPENSION:** oscillating rear axle with mechanical lock.

**BRAKES:** foot hydraulically operated brakes (disc on front, shoes on rear wheels). Parking hand brake mechanically operated.

**STEERING:** power steering with hydraulic cylinder and 140° articulation (ORBITROL system). Safety valves and filter.

**CRANE FRAME:** fabricated from preformed and welded quality steel plate with built-in counterweight.

**WHEELS:** rear 2 tires 6.50 R10". Front 4 solid tires 21 x 8-9".

**BOOM:** fabricated from preformed and welded quality steel plate with 3 hydraulic telescoping sections on nylon wear pads.

**HYDRAULIC SYSTEM:** 5 kW - 48 V electric pump, proportional distributor controlled by joystick, filter, safety valves on all boom operations. Max pressure 190 Bar.

**DRIVER'S OVERHEAD GUARD:** steel frame with metal checker plate and full visibility.

**WEIGHT:** 6.100 Kg.

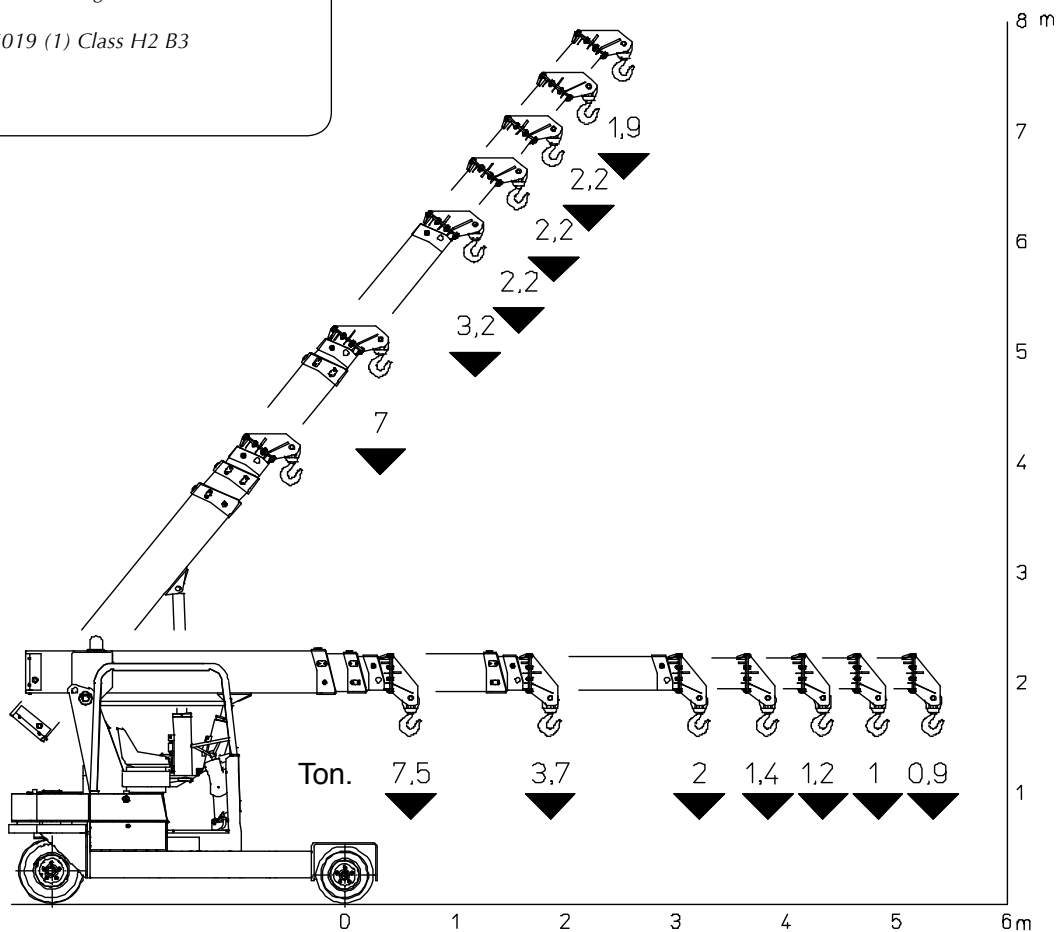
**OPTIONAL EXTRAS:** L.M.I. (Electronic Load Moment Indicator), manual boom extension, man bucket, remote control, canvas cab, metal enclosed cab, carry deck, battery, battery charger, hydraulic winch, hydraulic chain hoist, non-marking tires.

**Valla** S.p.A.

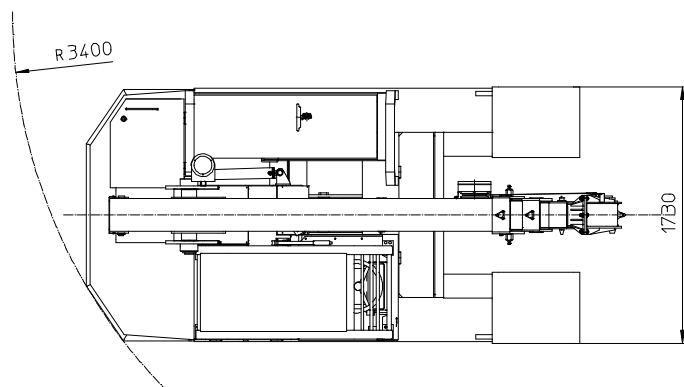
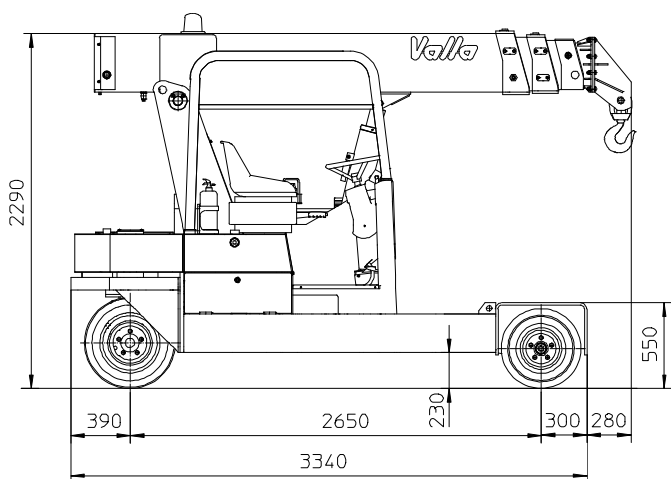
Via Piacenza, 45 - 29010 Calendasco - Piacenza - ITALIA  
Tel. 0039 0523 762025 - 762004 - Fax 0039 0523 760531  
Internet: [www.valla.com](http://www.valla.com) - email: [info@valla.com](mailto:info@valla.com)

The crane complies with following international standards:

- I.S.P.E.S.L.
- DIN 15018 (1,3) - 15019 (1) Class H2 B3
- ANSI - 1994
- 98/37/CE
- 89/336/CEE



## VALLA MODEL 75 E



mm

**Valla** S.p.A.

Via Piacenza, 45 - 29010 Calendasco - Piacenza - ITALIA  
 Tel. 0039 0523 762025 - 762004 - Fax 0039 0523 760531  
 Internet: www.valla.com - email: info@valla.com

